

# Ashcroft® Pressure Transducer Connection Instructions

For use with HOBObare® H22, U12, U30, and UX120-006M data loggers and HOBObare ZW data nodes

## Applies to these Ashcroft Pressure Transducers:

Onset Part No.	Rating	Output	Ashcroft Part No.
T-ASH-G2-100	100 PSIG	0-5V representing 0 to 100 PSIG	G27M0205F2100#G-#4177
T-ASH-G2-200	200 PSIG	0-5V representing 0 to 200 PSIG	G27M0205F2200#G-#4177
T-ASH-G2-500	500 PSIG	0-5V representing 0 to 500 PSIG	G27M0205F2500#G-#4177

This document provides instructions on connecting the Ashcroft Pressure Transducers listed above to each of the following:

- FlexSmart™ Analog Module used with HOBObare H22 series data loggers
- Analog Sensor Port used with HOBObare U30 series data loggers
- Voltage adapter used with the U12 and UX120-006M data loggers and ZW series data nodes

It also lists configuration values used by HOBObare Pro software to configure the logger for each transducer. **Note:** For information on connecting the pressure transducer to the pressure source and other transducer details, refer to the documentation provided by Ashcroft.



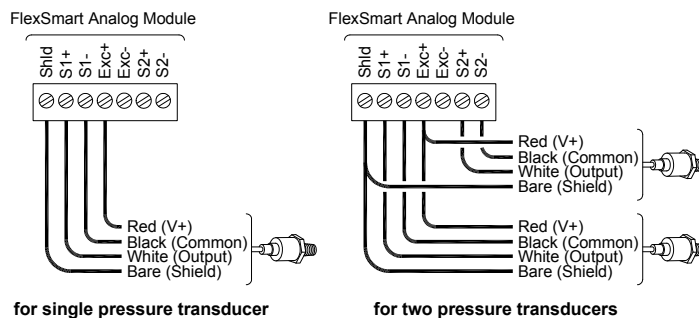
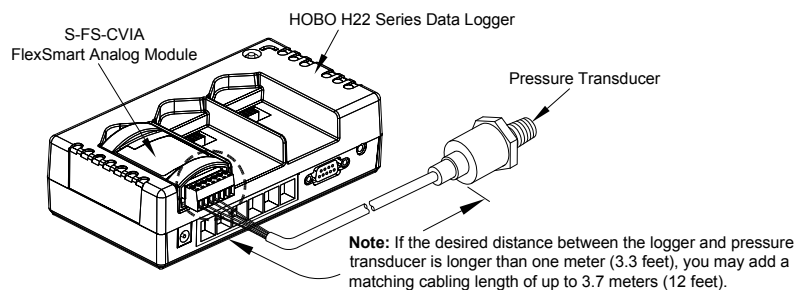
Ashcroft Pressure Transducer

## Required:

- Selected Ashcroft Pressure Transducer
- H22, U12, U30, or UX120-006M data logger, or HOBObare ZW data node
- FlexSmart Analog Module, Onset Part No. S-FS-CVIA (for H22 series); Analog Sensor Port option (for U30 series); voltage adapter, Onset Part No. CABLE-ADAP5 (for U12, UX120-006M, or ZW series)
- HOBObare Pro Software, version 2.2.1 or higher (2.4.0 or higher for U30 series; 3.0 or higher for ZW series; 3.6 or higher for UX120-006M)

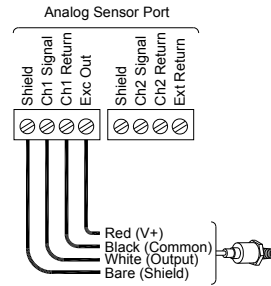
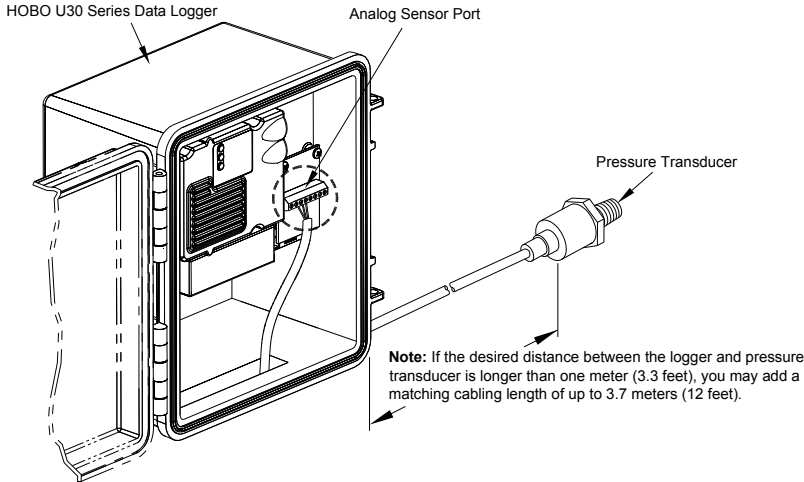
## Connecting the Pressure Transducer to the Analog Module or Port:

### H22 Connection

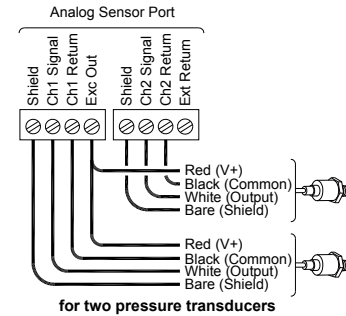


# Ashcroft Pressure Transducer Connection Instructions

## U30 Connection

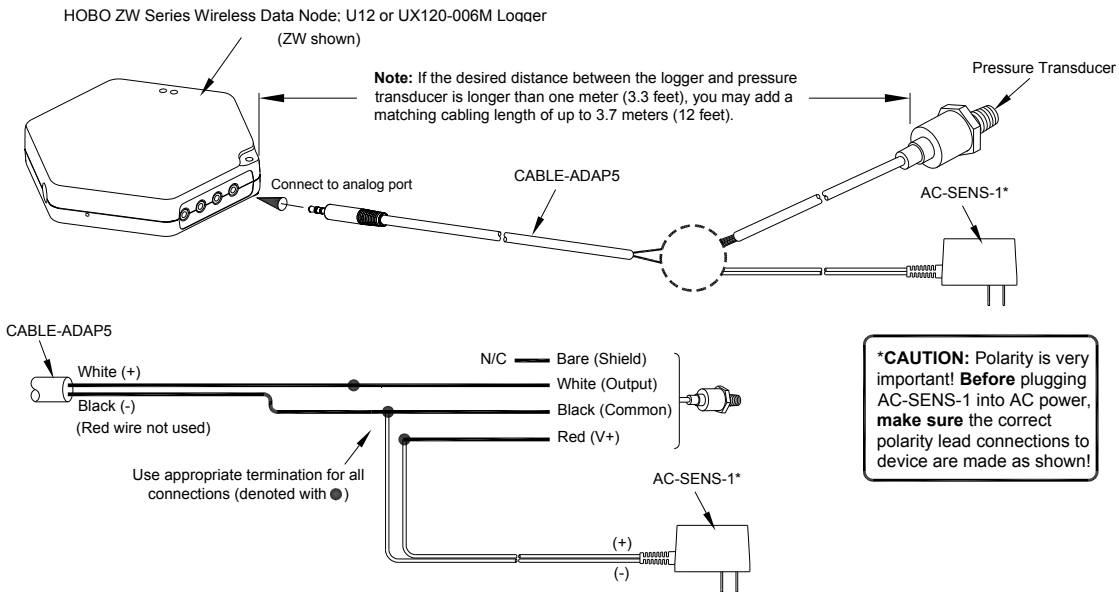


for single pressure transducer



for two pressure transducers

## ZW, U12, and UX120-006M Connection



**\*CAUTION:** Polarity is very important! **Before** plugging AC-SENS-1 into AC power, **make sure** the correct polarity lead connections to device are made as shown!

### Configuring the Data Logger for the Pressure Transducer, using HOBOWare Pro Software:

HOBOWare Pro software provides configuration files for the transducers. The table below lists the recommended configuration values for each transducer that these files contain. For information on loading configuration files, refer to the software documentation.

Onset Part No.	Channel Name	Warm-Up*	Measurement Type	Raw Value 1	Raw Value 2	Raw Units	Scaled Value 1	Scaled Value 2	Scaled Units
T-ASH-G2-100	Pressure	0.03 sec	Voltage	0	5	V	0	100	PSIG
T-ASH-G2-200	Pressure	0.03 sec	Voltage	0	5	V	0	200	PSIG
T-ASH-G2-500	Pressure	0.03 sec	Voltage	0	5	V	0	500	PSIG

\* Excitation power provided by the FlexSmart Analog Module (Onset Part No. S-FS-CVIA) with H22; by the Analog Sensor Port with U30; and by power adapter (Onset Part No. AC-SENS-1) with ZW, U12, or UX120-006M.